

RP1000P2SFP

	RP1000P2SFP			
	V1.00			2019.11
V1.00				2019.11.22
V1.01				2020.6.1
V1.02				2020.7.3
V1.03				2021.1.7
V1.04				2021.6.1
V1.05				2021.6.23
V1.06				2021.12.22
V1.07	intel			2022.3.23
V1.08	R1000P2SFP	RP1000P2SFP		2022.6.24
V1.09	PXE			2022.10.29
V1.10	MCTP over SMBus			2022.12.19
V1.11				2023.03.20
V1.12				2023.7.19
V1.13	DPDK			2023.11.17
V1.14				2024.6.20

1 RP1000P2SFP

RP1000P2SFP

SP1000A

CPU

CPU

CPU

RP1000P2SFP

300

PCI Express X8

I/O

RP1000P2SFP

MAC SFP+

1.1

1.1.1

1.1.2

PFC(802.1Qbb)

ETS(802.1Qaz)

CCN(802.1Qau)

VEPA

ETAG

MIB RMON

VXLAN/Geneve

DPDK

1.1.3

IPv4 TCP RSC
FCOE
256 KB
IP/TCP/UDP/STCP
UDP
CRC
VLAN
MAC/ VLAN

1.1.4

MSI / MSI - X
TCP
TPH/FLR/IDO/ARI /VPD/ECRC
256B / 2KB
PCI E
D0 D3 ACPI

1.1.5

SR-IOV
128
32
2
128
LLI
64 64 x 2
128 MAC
4096
4096

1.1.6

10 Gb
PCI e Gen3. 0x8
MCTP over SMBus

1.2

1.2.1

	RP1000P2SFP/RP1000P2SFP-A(/ARM)
--	-----------------------------------

RP1000P2SFP x86 pxe boot on lan arm64 pxe
 boot on lan
 RP1000P2SFP-A arm64 pxe boot on lan

1.2.2

1

1.2.3

PCB	133.64	mm	+/-1mm
PCB	68.9	mm	+/-1mm
()	18.42(x80.15	mm	+/-0.25mm
()	18.42(x121.05		
	14.47	mm	+/-0.13mm
	2.67		

2

Net-Swift ,Inc

1.2 7

Manufacturer



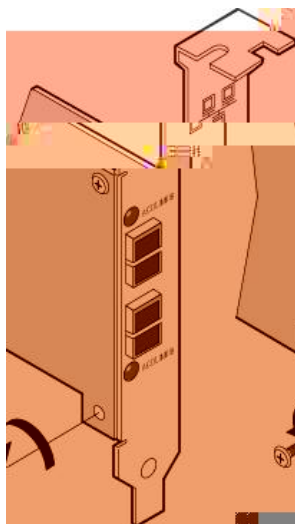
2.2

PCI -E X8 X16

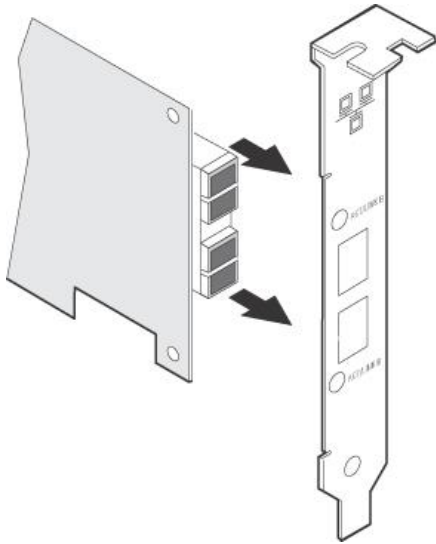
2.3

1

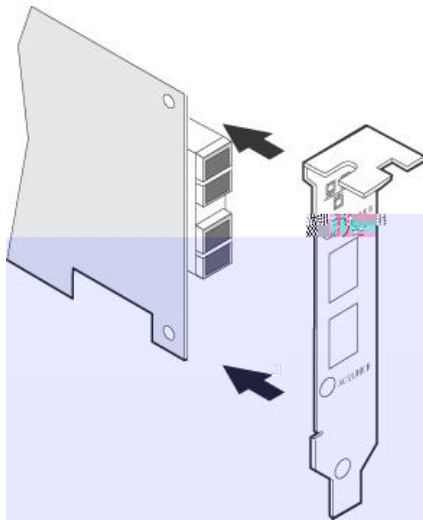
2



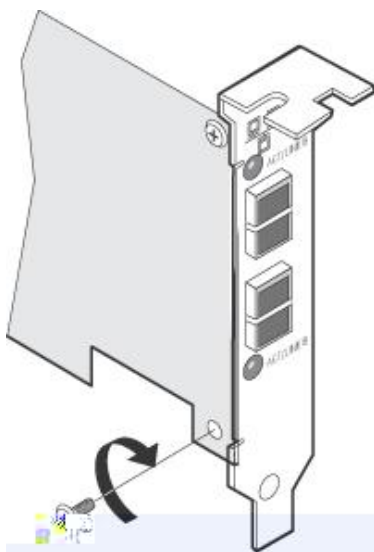
3



4



5



2.4

3

3.1

	14. 8Mbps@64B 7. 578Gb/s	
	822. 4Kpps@1500B 9. 869Gb/s	
	128. 5Kpps@9710B 9. 982Gb/s	
MTBF()	1000000	

4

4.1

Li nk

PCI -E

Li nk

4. 2

ACT

TX RX

5

0° C — 55° C

0% — 90%